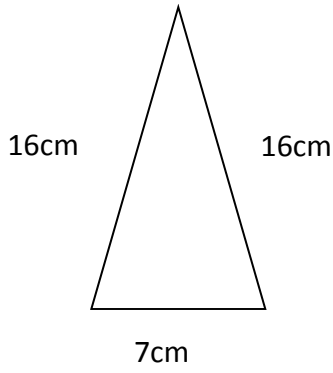


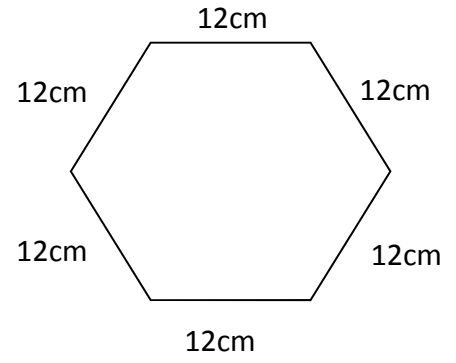
mm

**Finding the Perimeter of Rectangles and Squares**

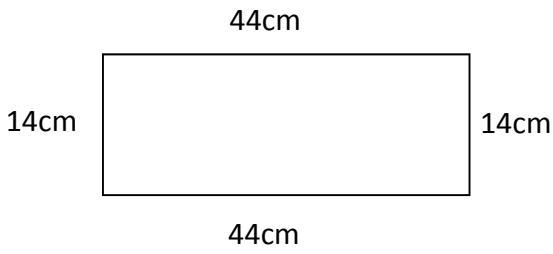
1.



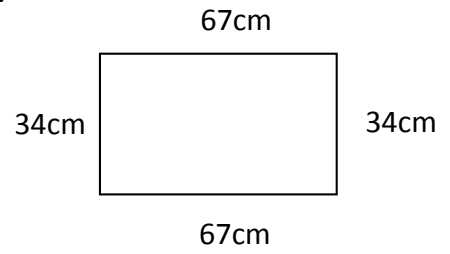
2.



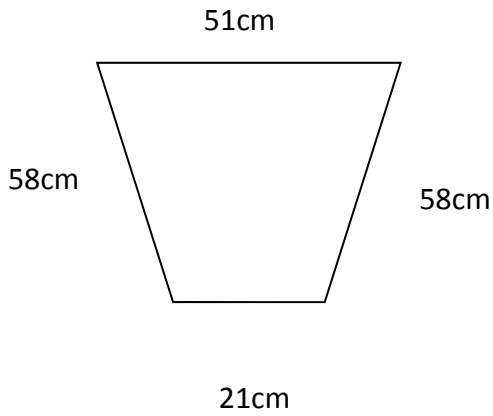
3.



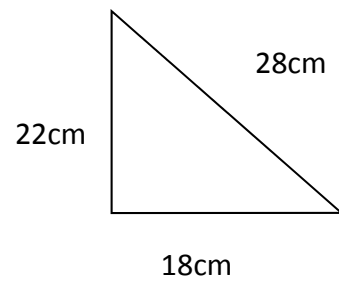
4.



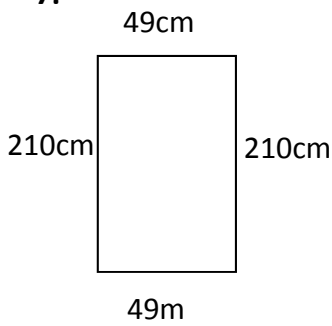
5.



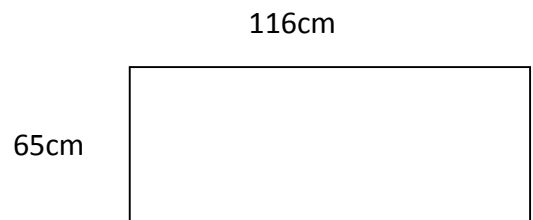
6.



7.



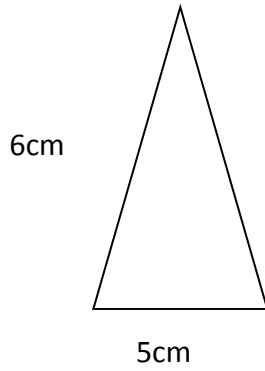
**Challenge**



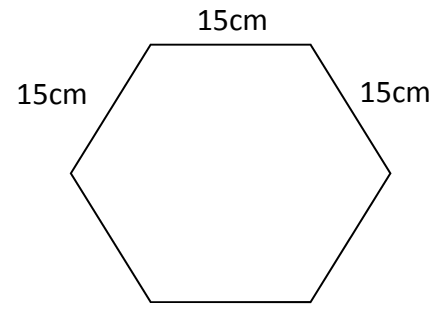
# Cm

## Finding the Perimeter of 2D Shapes

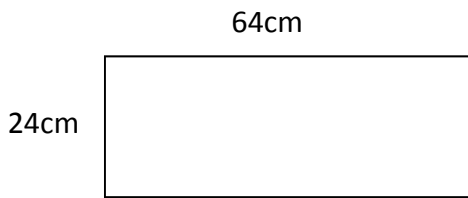
1.



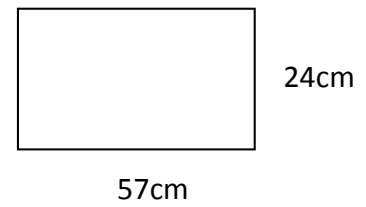
2.



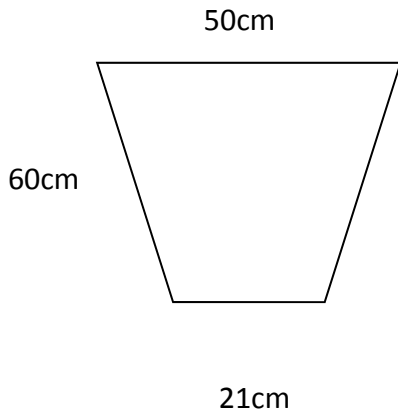
3.



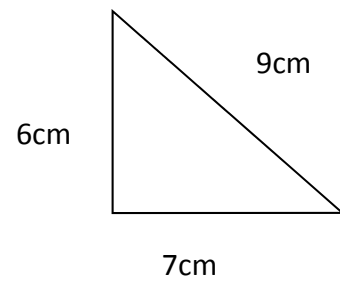
4.



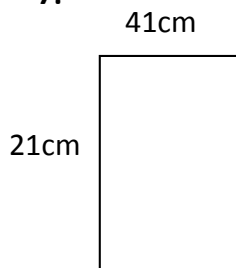
5.



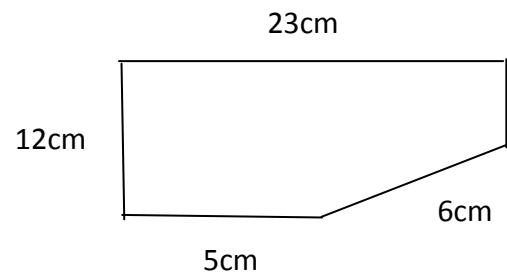
6.



7.



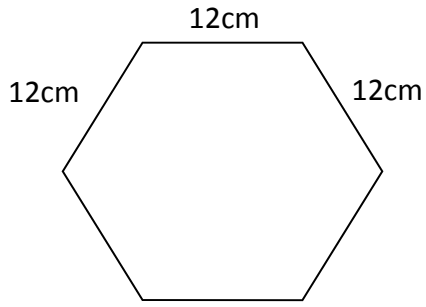
### Challenge



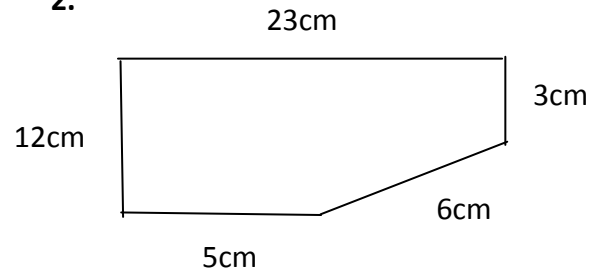
# Inches

## Finding the Perimeter of 2D shapes

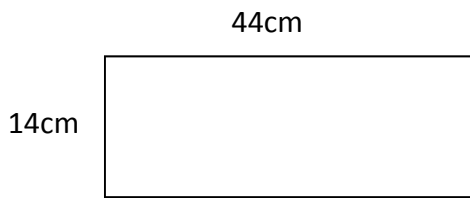
1.



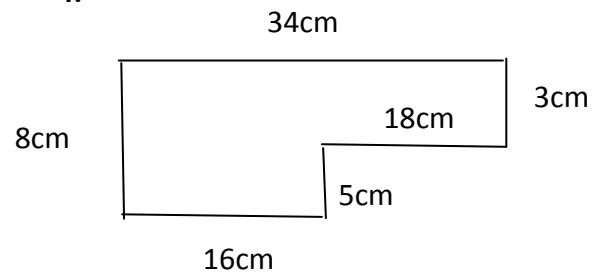
2.



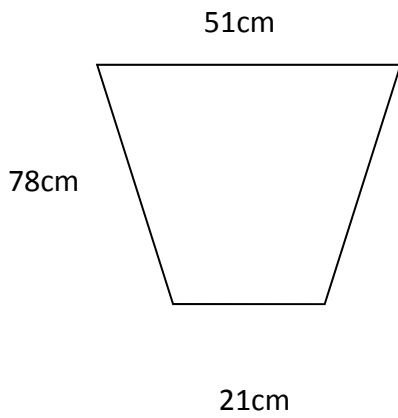
3.



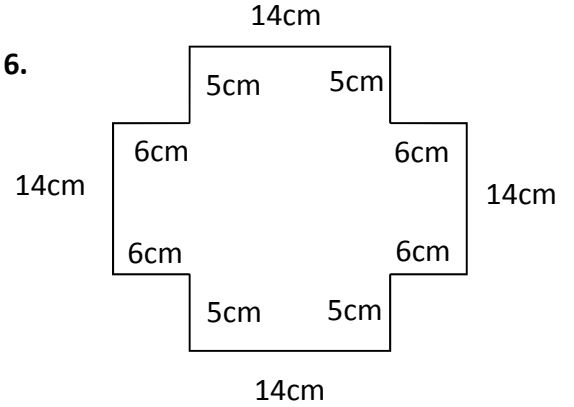
4.



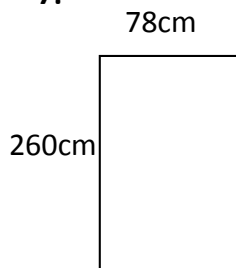
5.



6.



7.

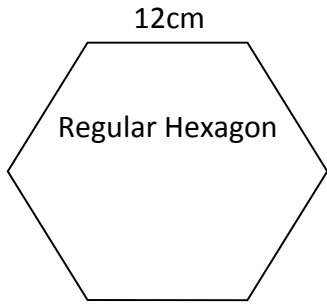


### Challenge

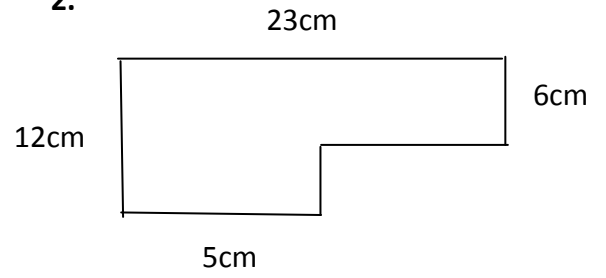
If a regular nonagon (9 sided polygon) has a perimeter of 162cm, what is the length of one of its sides?

Finding the Perimeter of 2D and Compound Shapes

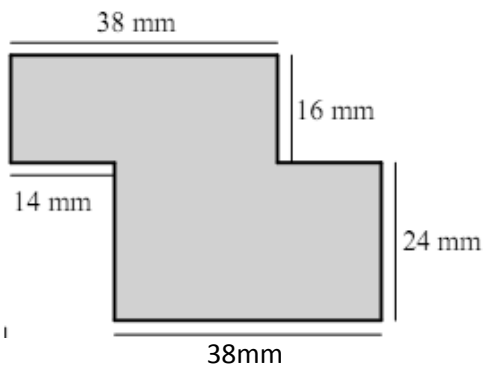
1.



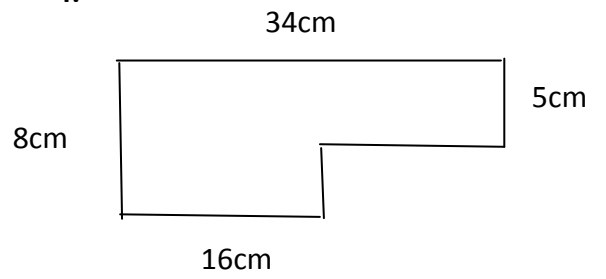
2.



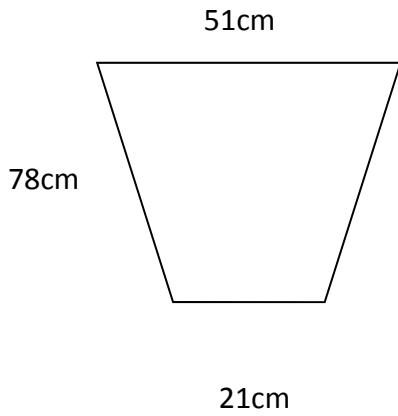
3.



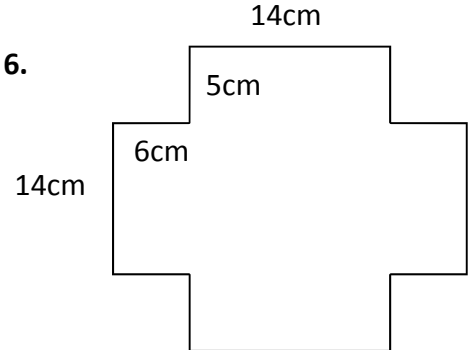
4.



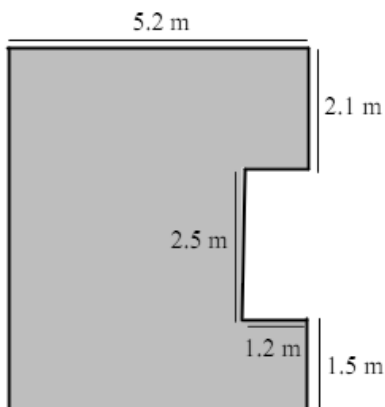
5.



6.



7.



Challenge

Can you find the length of a side in a regular nonagon if the perimeter is 162cm?